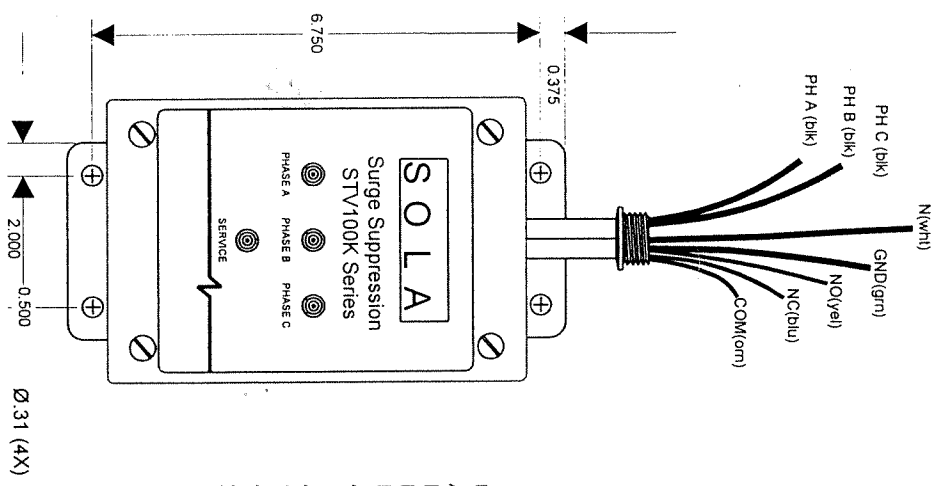
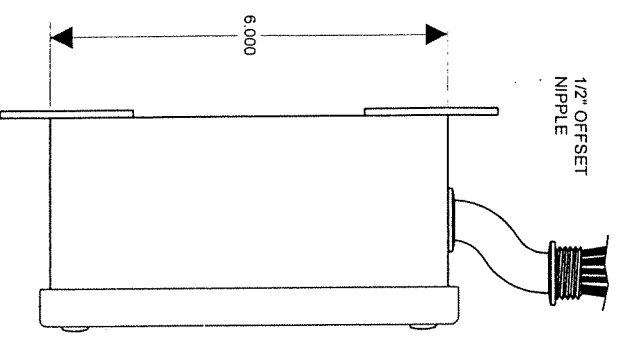
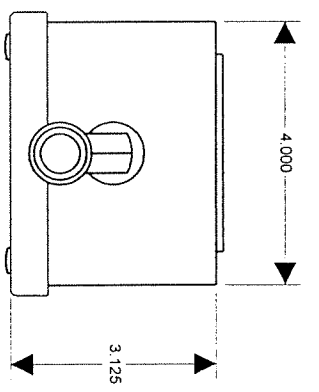


- NOTES:
1. ENCLOSURE IS NEMA TYPE 4.
 2. FINISH: TEXTURED POWDER COAT ANSI 61 GRAY.
 3. ALL WIRES 18.50 P 0.50 OUT OF CASE.
PHASE WIRES, N, GND ARE 12 AWG, 600V, 105DC COPPER WIRE.
NO, NC, COM ARE 18 AWG, 600V, 105DC COPPER WIRE.



UNIT SHOWN IS A 3 PHASE WYE.
A 3 PHASE DELTA WILL HAVE NO NEUTRAL (WHT) WIRE.
FOR A 3 PHASE DELTA HI-LEG PHASE B WILL BE THE HI-LEG. A SPLIT PHASE UNIT WILL HAVE NO PHASE C AND BE LABELED LINE1 & LINE2. A SINGLE PHASE L-N UNIT WILL HAVE ONE PHASE (BLACK) WIRE, THE NEUTRAL (WHT) WIRE AND THE GROUND (GRN) WIRE. A SINGLE PHASE L-L UNIT WILL HAVE TWO PHASE (BLK) WIRES AND THE GROUND (GRN) WIRE.

SOLA 7770 North Frontage Rd.
Skokie, IL 60077

STV100K Series
TVSS

Mechanical Dimensions

Date: 8/15/99