

# Two Types of Protection in One Convenient Package

Active Tracking® Filters  
and Surge Suppression  
in One Device



The new STFV Plus combines Active Tracking® Filtering for low energy disturbances and surge suppression for high energy transients such as lightning. It continuously tracks the input AC power line responding instantly to extraneous high frequency noise and high voltage transients caused by everyday events such as turning on machinery, motors, or equipment.

They are built to meet your unique requirements, and are available in a hardwire, single phase configuration. Designed for years of trouble free operation and require little or no operator intervention after installation.

Now you can enjoy the convenience of two types of protection in one package to cover a broader range of power quality problems. To learn more, visit our website at [www.solaheviduty.com](http://www.solaheviduty.com).

**Powering**  
performance.



**Sola/Hevi-Duty**  
Main: (847) 268-6000  
Phone: (800) 377-4384  
FAX: (800) 367-4384

**EGS Canada**  
Main: (519) 669-9222  
Phone: (888) 765-2226  
FAX: (519) 669-6389

**EGS Europe/ATX**  
France: 33 (0) 3 22 54 27 54  
UK: 44 (0) 1634 895 899

## Features

- > Single Phase applications up to 30 Amp
- > Surge current capacity - 40,000 Amps
- > Operating Temperature from -40°C to +60°C
- > Transient protection in all modes (L-N, L-G, and N-G)
- > High impact plastic case, epoxy encapsulated enclosure

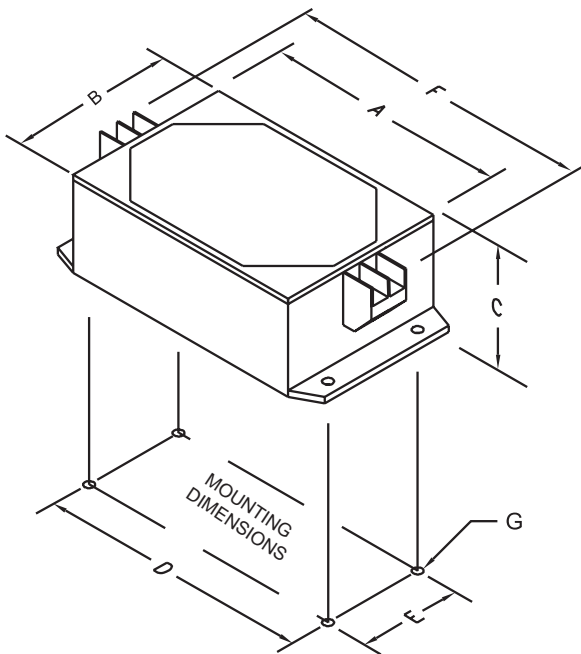
## Applications

- > Branch and Control Panels
- > Factory Automation Installations
- > Point of use industrial service equipment
- > Programmable Logic Controllers
- > Dedicated Industrial and Machine tools
- > Telecommunications and IT equipment

## Selection Table

Catalog Number	Amps	Case Dim. (in) A x B x C	Mounting Flange Dims (in) D x E x F x G	Number Min Wire Size (AWG Suggested)	Screw Size	Fuse/Circuit Breaker Ampacity		Weight (lbs)
						Suggest	Max	
<b>Single-Phase Models (120 VAC)</b>								
STFV025-10N	2.5	4.0 x 2.88 x 1.81	4.38 x 2.12 x 5.31 x 0.19	26	#6	2.5	3.125	1.0
STFV050-10N	5.0	4.0 x 2.88 x 1.81	4.38 x 2.12 x 5.31 x 0.19	22	#6	5	6.25	1.3
STFV075-10N	7.5	4.75 x 4.75 x 2.35	5.25 x 3.5 x 6.25 x 0.19	18	#6	7.5	9.375	2.0
STFV150-10N	15.0	6.25 x 4.75 x 2.35	6.75 x 3.5 x 7.75 x 0.19	14	#8	15	18.75	3.5
STFV300-10N	30.0	7.75 x 4.75 x 2.35	8.25 x 3.5 x 9.0 x 0.19	10	#8	30	37.5	6.0
<b>Single-Phase Models (240 VAC)</b>								
STFV025-24L	2.5	4.0 x 2.88 x 1.81	4.38 x 2.12 x 5.31 x 0.19	26	#6	2.5	3.125	1.3
STFV050-24L	5.0	4.75 x 4.75 x 2.35	5.25 x 3.5 x 6.25 x 0.19	22	#6	5	6.25	2.0
STFV075-24L	7.5	6.25 x 4.75 x 2.35	6.75 x 3.5 x 7.75 x 0.19	18	#6	7.5	9.375	3.5
STFV150-24L	15.0	7.75 x 4.75 x 2.35	8.25 x 3.5 x 9.0 x 0.19	14	#8	15	18.75	5.8
STFV300-24L	30.0	7.75 x 4.75 x 2.35	8.25 x 3.5 x 9.0 x 0.19	10	#8	30	37.5	6.0

## Dimensions



## System Design

**Series Blocking Inductors**  
voltage blocking current  
smoothing inductors

**Shunt Absorbing Components**  
sine wave tracking circuitry

**MOV Transient Protection**  
high-energy transient protection  
line to neutral, line to ground,  
neutral to ground

**Pulse Capacitor**  
high-frequency noise absorption

